

Mini CWDM Module

Feature

Low insertion loss
High return loss
High Isolation
High reliability & stability
Compactness

Application

CWDM network module
5G fronthaul network
Metropolitan area network
High speed network



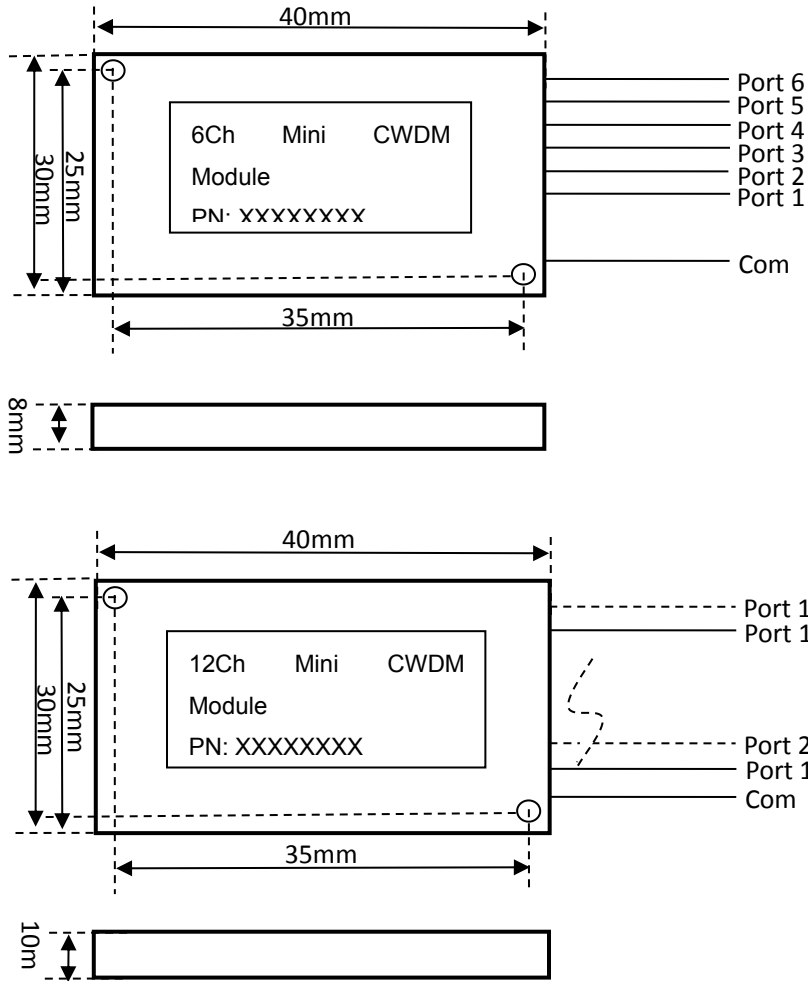
● Performance Specifications

Parameter	Unit	Value	
Operating Wavelength	nm	1260~1620	
Port Number	Ch	6	12
Centre Wavelength	nm	CWDM ITU Grid	
Passband bandwidth	nm	CW ± 6.5	
Insertion Loss	dB	≤ 2.0	≤ 2.8
PDL	dB	≤ 0.10	≤ 0.15
Channel Ripple	dB	≤ 0.2	
Adjacent Channel Isolation	dB	≥ 30	
Non-Adjacent Channel Isolation	dB	≥ 40	
Directivity	dB	≥ 50	
Return loss	dB	≥ 50	
Power handling	mW	≤ 500	
Operating temperature	°C	-25~ +85	
Storage temperature	°C	-40 ~ +85	
Package	mm	L40*W30*H8	L40*W30*H10

Remark:

1. The reliability test conformed the Telcordia GR-1221-CORE.
2. Specifications exclude connector.

● Package drawing:



● Ordering Information

Type	Structure	Channel count	Starting wavelength	Package Type	Pigtail type	Fiber length	Connector type	Serial number
1=passive optical network	M=Mux	2=2Ch	1270=1270nm	1=L40*W30*H8mm	0=bare fibre	1=0.5m	0=None	01
	D=Demux	3=3Ch	1271=1271nm	2=L40*W30*H16mm	1=0.9mm	2=1.0m	1=FC/PC	...
2=Active optical network	X=Other	4=4Ch	1290=1290nm		loose tube	3=2.0m	2=FC/APC	99
		5=5Ch	1291=1291nm	3=SC/PC				
		6=6Ch	...	4=SC/APC				
		7=7Ch	1590=1590nm	5=LC/PC				
		8=8Ch	1591=1591nm	6=LC/APC				
		9=9Ch	1610=1610nm	X=Specify				
		X=Specify	1611=1611nm					
X=Specify	X=Specify							

Contact Information: www.d-colortel.com
sales@d-colortel.com or technic@d-colortel.com